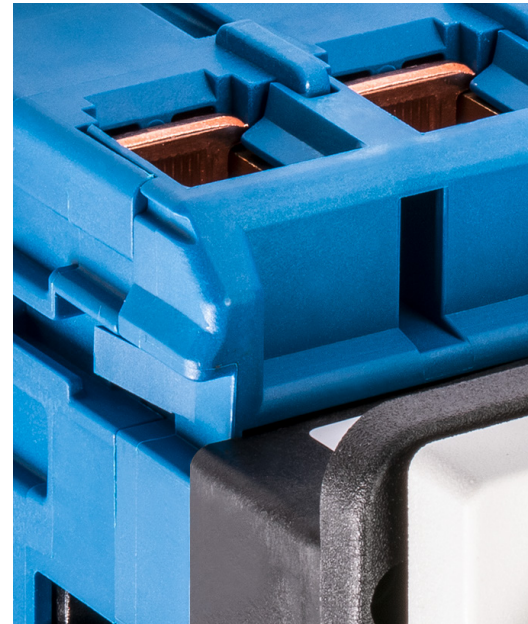
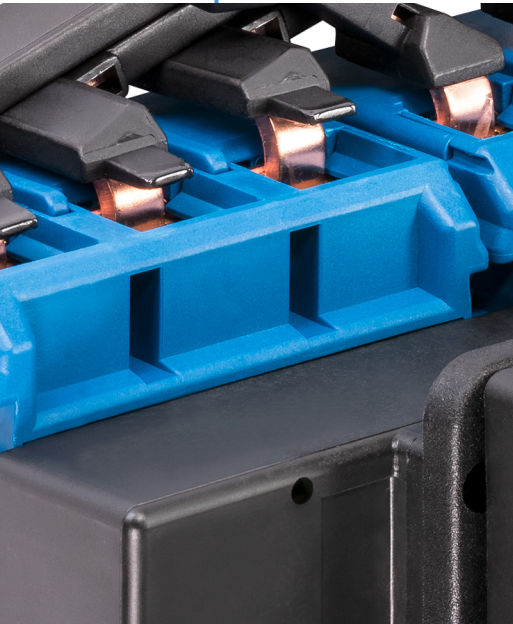


## Manual Transfer Switch



### Standard-compliant switching with Kraus & Naimer

Kraus & Naimer provides Manual Transfer Switches, ensuring emergency power supply in accordance with relevant standards. Our switches comply with the international standards IEC 60947-6-1 and IEC 60947-3 in the range of low-voltage switchgear.

#### Emergency power supply

The integration of emergency power supply requires a generator, operated with a Generator Changeover Switch or Manual Transfer Switch Equipment (MTSE).

If the power grid is overloaded or damaged due to weather phenomena such as heavy snowfall and storms or if the energy requirements imposed on the power grid are too high, power supply might fail. In such a case, an adequate emergency power supply for your home or your company provides an additional measure to bridge a potential power failure for a certain amount of time.

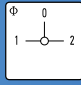
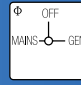
The IEC 60947-6-1 standard defines all requirements regarding the design and testing procedures of Manual Transfer Switch Equipment (MTSE) to enable a safe and reliable operation between two power supplies.

## DESIGNS

### DIN rail mounting

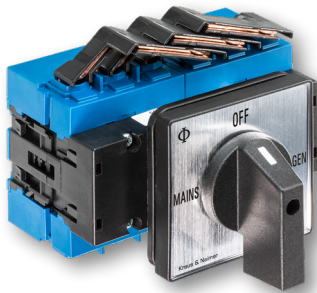
IP20

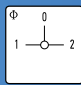
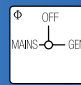


	$I_n/I_{th}$		Name	Art. no.		Name	Art. no.
3-pole	25 A		<a href="#">KG20A.T903.VE2</a>	70017919		<a href="#">KG20A.T903.VE2.F445</a>	70051966
	32 A		<a href="#">KG32A.T903.VE2</a>	70018147		<a href="#">KG32A.T903.VE2.F445</a>	70052045
	40 A		<a href="#">KA40B.T903.VE2</a>	70038129		<a href="#">KA40B.T903.VE2.F445</a>	70048446
	63 A		<a href="#">KA63B.T903.VE2</a>	70035167		<a href="#">KA63B.T903.VE2.F445</a>	70048448
	80 A		<a href="#">KG80.T903.VE2</a>	70018453		<a href="#">KG80.T903.VE2.F445</a>	70052053
	100 A		<a href="#">KG100.T903.VE2</a>	70017630		<a href="#">KG100.T903.VE2.F445</a>	70052047
125 A		<a href="#">KG105.T903.VE2</a>	70034632		<a href="#">KG105.T903.VE2.F445</a>	70051979	
4-pole	25 A		<a href="#">KG20A.T904.VE2</a>	70010222		<a href="#">KG20A.T904.VE2.F445</a>	70052058
	32 A		<a href="#">KG32A.T904.VE2</a>	70018150		<a href="#">KG32A.T904.VE2.F445</a>	70051792
	40 A		<a href="#">KA40B.T904.VE2</a>	70036433		<a href="#">KA40B.T904.VE2.F445</a>	70048450
	63 A		<a href="#">KA63B.T904.VE2</a>	70048395		<a href="#">KA63B.T904.VE2.F445</a>	70048452
	80 A		<a href="#">KG80.T904.VE2</a>	70011630		<a href="#">KG80.T904.VE2.F445</a>	70051796
	100 A		<a href="#">KG100.T904.VE2</a>	70011037		<a href="#">KG100.T904.VE2.F445</a>	70052056
125 A		<a href="#">KG105.T904.VE2</a>	70010529		<a href="#">KG105.T904.VE2.F445</a>	70052037	

### Front-panel mounting

IP66/67

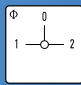
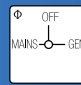


	$I_n/I_{th}$		Name	Art. no.		Name	Art. no.
3-pole	25 A		<a href="#">KG20A.T903.E</a>	70017917		<a href="#">KG20A.T903.E.F445</a>	70051968
	32 A		<a href="#">KG32A.T903.E</a>	70018145		<a href="#">KG32A.T903.E.F445</a>	70051976
	40 A		<a href="#">KA40B.T903.E</a>	70034217		<a href="#">KA40B.T903.E.F445</a>	70048438
	63 A		<a href="#">KA63B.T903.E</a>	70035184		<a href="#">KA63B.T903.E.F445</a>	70048440
	80 A		<a href="#">KG80.T903.E</a>	70018451		<a href="#">KG80.T903.E.F445</a>	70052059
	100 A		<a href="#">KG100.T903.E</a>	70017628		<a href="#">KG100.T903.E.F445</a>	70051971
125 A		<a href="#">KG105.T903.E</a>	70034712		<a href="#">KG105.T903.E.F445</a>	70051996	
4-pole	25 A		<a href="#">KG20A.T904.E</a>	70034713		<a href="#">KG20A.T904.E.F445</a>	70052052
	32 A		<a href="#">KG32A.T904.E</a>	70018148		<a href="#">KG32A.T904.E.F445</a>	70052048
	40 A		<a href="#">KA40B.T904.E</a>	70036427		<a href="#">KA40B.T904.E.F445</a>	70048442
	63 A		<a href="#">KA63B.T904.E</a>	70048392		<a href="#">KA63B.T904.E.F445</a>	70048444
	80 A		<a href="#">KG80.T904.E</a>	70018454		<a href="#">KG80.T904.E.F445</a>	70051959
	100 A		<a href="#">KG100.T904.E</a>	70017631		<a href="#">KG100.T904.E.F445</a>	70051964
125 A		<a href="#">KG105.T904.E</a>	70017677		<a href="#">KG105.T904.E.F445</a>	70052061	

### Surface mounting IP66/67

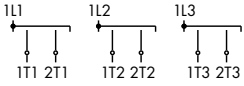
IP66, IP67, IP69k



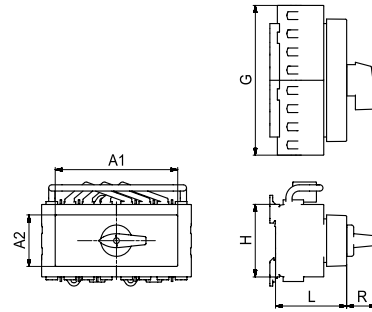
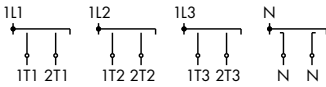
	$I_n/I_{th}$		Name	Art. no.		Name	Art. no.
3-pole	25 A		<a href="#">KG20B.T903.KL10</a>	70034730		<a href="#">KG20B.T903.KL10.F445</a>	70051970
	32 A		<a href="#">KG32B.T903.KL10</a>	70034731		<a href="#">KG32B.T903.KL10.F445</a>	70051961
	40 A		<a href="#">KA40B.T903.KL70</a>	70048397		<a href="#">KA40B.T903.KL70.F445</a>	70048454
	63 A		<a href="#">KA63B.T903.KL70</a>	70048399		<a href="#">KA63B.T903.KL70.F445</a>	70048457
4-pole	25 A		<a href="#">KG20B.T904.KL10</a>	70034733		<a href="#">KG20B.T904.KL10.F445</a>	70051957
	32 A		<a href="#">KG32B.T904.KL10</a>	70034734		<a href="#">KG32B.T904.KL10.F445</a>	70051980
	40 A		<a href="#">KA40B.T904.KL70</a>	70048401		<a href="#">KA40B.T904.KL70.F445</a>	70048460
	63 A		<a href="#">KA63B.T904.KL70</a>	70024774		<a href="#">KA63B.T904.KL70.F445</a>	70048462

Dimensions in mm

## 3-pole

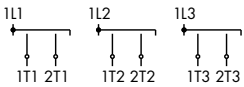


## 4-pole

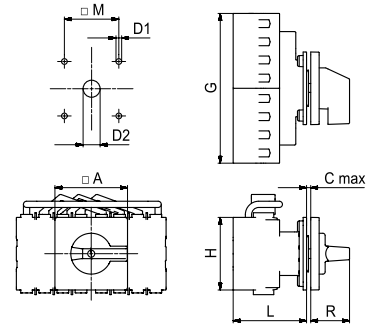
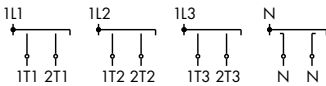


Switch Type	A1	A2	G 3p	G 4p	H	L	R
KG20A, KG32A	43,7	45,4	84	111	54	64	26
KA40B, KA63B	52,4	45,5	100	132	64	62,6	26
KG80, KG100	70	45	140	184	80	76,2	34

## 3-pole

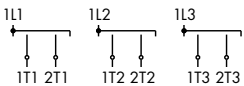


## 4-pole

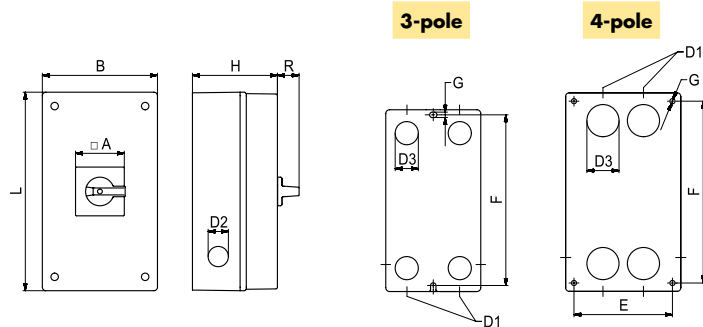
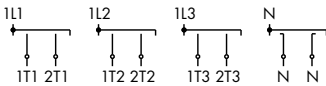


Switch Type	A	C max	G 3p	G 4p	L	H	R	M	D1	D2
KG20A, KG32A	48	4	84	111	61,3	54	29,1	36	5	10
KA40B, KA63B	64	4	100	132	64,7	64	34,2	48	5	10
KG80, KG100	64	4	140	184	81,8	80	34,2	48	5	10

## 3-pole



## 4-pole



	Switch Type	Mounting	A	B	D1	D2	D3	E	F	G	H	L	R
3p	KG20B, KG32B	KL10	62	100	M25	M25	M25	-	177	5,6	91,2	190	28
4p	KG20B, KG32B	KL10	62	145	M25/40	M25	M40	124	229	6,5	107,4	250	28
	KA40B, KA63B	KL70	62	145	M25/40	M25	M40	124	229	6,5	107,4	250	28



 Kraus & Naimer

[www.krausnaimer.com](http://www.krausnaimer.com)

© Kraus & Naimer, May 2023